

# Fiber Coupled Laser Assemblies



MKS offers coaxial style laser diodes coupled with singlemode and multimode fibers. Wavelengths are available from 405nm to 1650nm and CW output wattages are 0.3 mW to 100 mW, depending on wavelength and fiber type. All standard varieties come with 1 meter of fiber and an FC connector.

These Newport semiconductor laser diodes are of proven design and manufacture, and have been qualified as per Telcordia GR-468. The highly stable YAG laser-welded packaging ensures a low tracking error of +/- 1.0 dB maximum over OTR -40 to 85°C.

## Laser Assemblies

### 405nm to 1650nm Wavelengths Available

#### Co-Axial Fiber Pigtailed Assemblies

#### Connector Terminated Fiber Pigtailed Assemblies

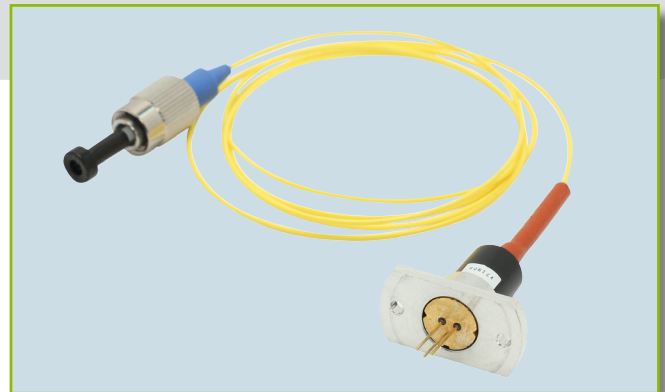
- FC
- Angled or Flat Polished

#### Single Mode Fiber Coupling

- 3um core for 405~520nm Lasers
- 4um core for 633~690nm Lasers
- 5um core for 780~850nm Lasers
- 7um core for 905~1064nm Lasers
- 9um core for 1270~1650nm Lasers

#### Multimode Fiber Coupling

- 50/125um
- 62.5/125um
- 105/125um



# Fiber Coupled Laser Assemblies

## Pigtailed Laser Part Number Configuration

PL $\lambda\lambda$ CCPPPFKKB-O

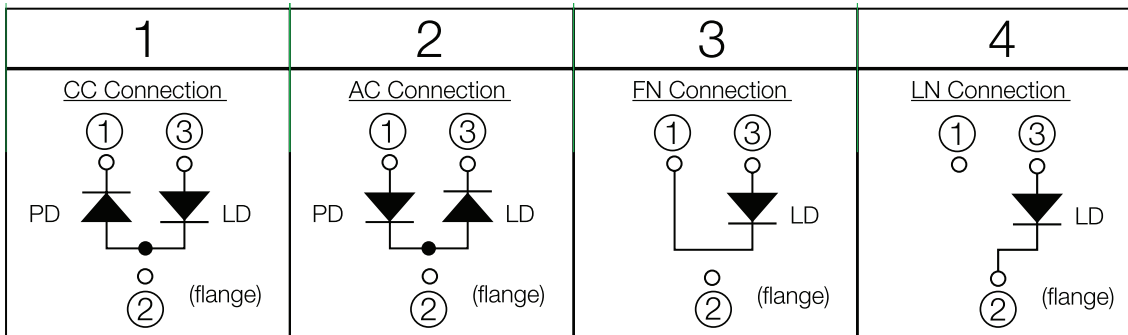
PL = Laser	$\lambda\lambda$ = Wavelength	CC = Laser Code	PPP = Power Output	PF = Fiber type	KK = Connector	B = Bracket	O = Bracket Orientation
			001= 1mW	1= 9/125/900	FC=FC/PC	A=No Bracket	O=No Bracket
			010=10mW	2=50/125/900	FA=FC/APC	B=Panel Mount	N=Gnd at 12:00
			100=100mW	3=62.5/125/900	ST=ST/PC	D=PCB Mount	T=Gnd at 6:00
				6=3/125/90	SC=SC/PC		
				7=5/125/900	SA=SC/APC		
				8=7/125/900	LC=LC/PC		
				D=105/125/900	LA=LC/APC		

## Visible Laser Diodes 405nm to 670nm

$\lambda$ nm	Code	Pin-Out	LD Power	Fiber Coupled Power mW		
				SMF 3um	MMF 50um	MMF 105um
405	40B	1 CC	150	NA	100	120
405	40C	3 FN	175	20	120	140
450	45A	3 FN	80	10	50	65
488	48A	M	60	8	45	50
515	51A	2 AC	10	1	7	8
520	52C	2 AC	50	5	35	40
520	52D	2 AC	30	3	20	25
$\lambda$ nm	Code	Pin-Out	LD Power	SMF 4um	MMF 50um	MMF 105um
633	63G	3 FN	120	35	80	100
638	63E	2 AC	5	1	3	4
638	63J	1 CC	5	1	3	4
638	63C	2 AC	10	2	5	7
638	63H	2 AC	5	1	3	4
639	63K	2 AC	20	5	12	15
637	63L	4 LN	250	NA	100	175
638	63N	3 FN	700	NA	200	400
638	63P	2 AC	20	5	12	15
639	63R	2 AC	30	7	18	22
640	64A	2 AC	80	15	30	55
655	65A	1 CC	5	1	3	4
660	65C	2 AC	50	10	25	35
660	65D	1 CC	50	10	25	35
655	65T	2 AC	5	1	3	5
660	65V	1 CC	5	1	3	5
660	66E	2 AC	120	20	60	80
660	66F	1 CC	120	20	60	80
660	66G	1 CC	120	20	60	80
660	66N	1 CC	35	8	20	25
670	67A	2 AC	10	2	5	7
670	67B	M	10	2	5	7
690	67G	1 CC	35	8	20	25
670	67T	2 AC	10	2	5	7
670	67H	2 AC	10	2	5	7
670	67b	2AC	10	2	5	7

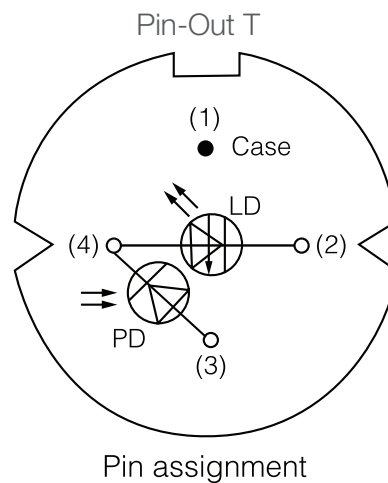
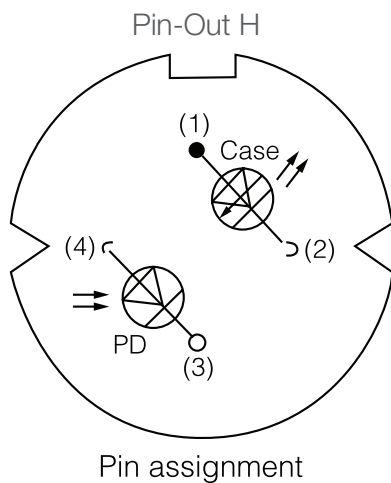
## Near IR Laser Diodes 780nm to 1064nm

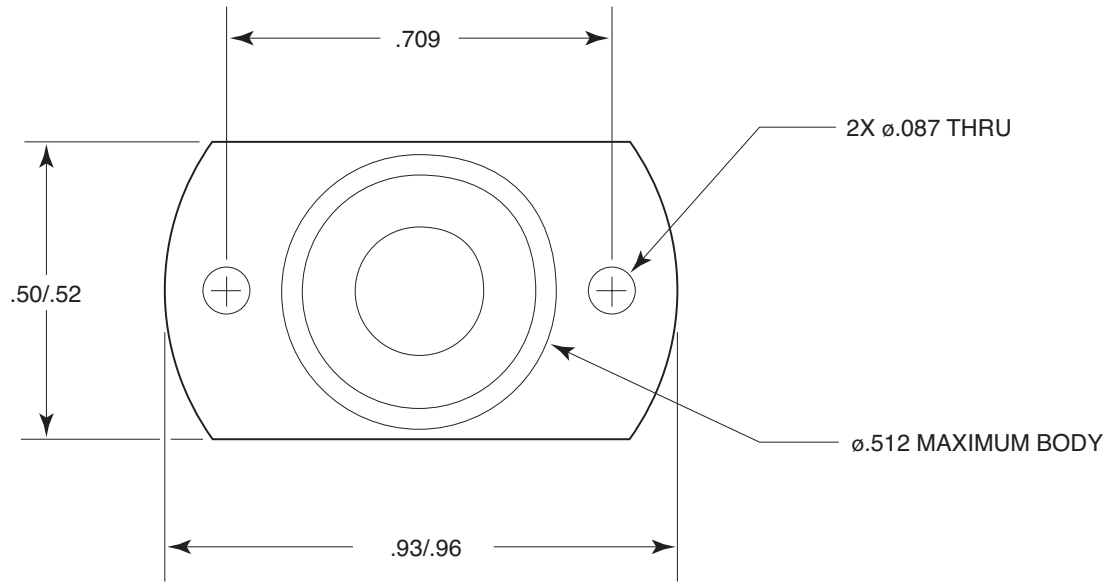
$\lambda$ nm	Code	Pin-Out	LD Power	Fiber Coupled Power mW		
				SMF 5um	MMF 50um	MMF 105um
780	78G	2 AC	10	3	6	8
780	78U	M	3	NA	2	3
780	78J	1 CC	3	NA	2	3
780	78P	1 CC	120	30	60	85
780	78S	2 AC	120	30	60	85
780	78L	M	10	3	6	8
780	78V	M	10	3	6	8
808	80A	Z	200	NA	75	140
808	80E	2 AC	200	NA	75	140
808	80G	3 FN	300	NA	100	180
830	83C	2 AC	50	10	25	30
830	83H	1 CC	50	10	25	30
830	83E	2 AC	100	10	50	70
830	83T	2 AC	250	NA	100	150
845	84A	2 AC	30	6	15	20
850	85B	1 CC	10	3	6	8
850	85C	M	10	3	6	8
850	85D	2 AC	10	3	6	8
850	85E	1 CC	40	10	20	30
$\lambda$ nm	Code	Pin-Out	LD Power	SMF 7um	MMF 50um	MMF 105um
904	90D	2 AC	10	3	6	8
905	90A	2 AC	10	3	6	8
905	90E	1 CC	10	3	6	8
980	98E	2 AC	25	5	12	18
980	98H	2 AC	10	3	6	8
1064	10C	Z	50	10	25	35



### TELCO Lasers 1270nm to 1650nm

Wavelength nm	Code	Pin-Out	Total Chip Power	Laser Type	Isolator	Fiber Coupled Power mW	
						SMF 9um	MMF 50um*
1310	13B	H	5	FP	No	2	3
1310	13P	T	5	FP	No	2	3
1310	13CA	H	5	FP	Yes	2	3
1310	13CB	T	5	FP	Yes	2	3
1310	13CE	H	5	DFB	No	2	x
1310	13CF	H	5	DFB	Yes	2	x
1550	15B	H	5	FP	No	2	3
1550	15CF	H	5	FP	Yes	2	3
1550	15CG	T	5	FP	Yes	2	3
1550	15CH	T	5	FP	No	2	3
1550	15CA	H	5	DFB	No	2	x
1550	15CE	H	5	DFB	Yes	2	x
1550	15CD	T	5	DFB	No	2	x
1470 to 1610	Various	H	5	CWDM DFB	Yes	2	x
1625	16R	H	5	DFB	Yes	2	x
1650	16P	H	5	DFB	Yes	2	x





Panel Mount Bracket